

COUPLING OUTER CONE SEPARABLE CONNECTOR - UP TO 24 KV – 630 A

ELCONEXT 24C-S EG

ELCONEXT 24C-S EG is the Elcon Megarad range of outer cone separable tee connectors designed to be used with ELCONEXT 24C-S or another ELCONEXT 24C-S EG for multiple parallel cables.

The electrical field stress control at the cable semiconductor cut is achieved by means of the Elcon Megarad specially formulated high permittivity compound inside the cable adapter.

The separable connector is fully screened by means of a thick polymeric semiconductive outer layer that is pre-molded over the body insulating material.

Application

For connections of polymeric insulated cables to equipments by means of bushing type "C" up to 24 kV (U_m) - B.I.L. 125 kV - and 630 A. For any type of cable metallic screen.

Suitable for mechanical, hexagonal and deep indent conductor lugs.

Compliant with standard CENELEC HD 629.1 S2.

Selection guide

Connector body identification

Connector body type	Cable size [mm ²]
24C-S1	25 - 300

Cable adapter identification

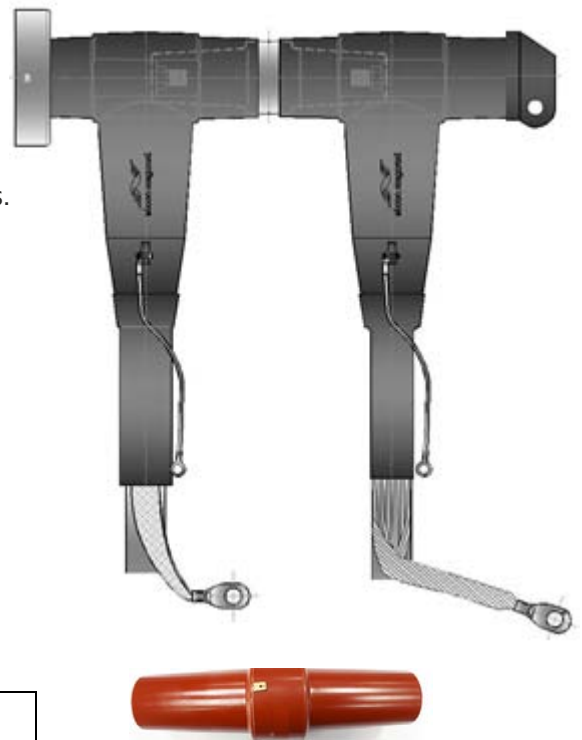
Cable adapter type	Cable insulation diameter range [mm]	Cable conductor size [mm ²] (FOR GUIDANCE ONLY)		
		U_m 12 kV	U_m 17,5 kV	U_m 24 kV
b	18,5 - 23,0	95 - 150	50 - 95	35 - 70
c	23,0 - 29,0	185 - 240	120 - 185	95 - 185
d	27,0 - 33,0	300	240 - 300	185 - 240
e	31,5 - 36,5	--	--	240 - 300

Product identification

Select the right cable adapter by means of the table above and add the adapter type to the product name. For example, **ELCONEXT 24C-S1 EG b** for a cable insulation diameter between 18,5 and 23,0 mm.

INTERFACE "C" SYMMETRIC BRANCH TYPE

6/10 (12) kV
6,35/11 (12) kV
8,7/15 (17,5) kV
1 2/20 (24) kV
1 2,7/22 (24) kV

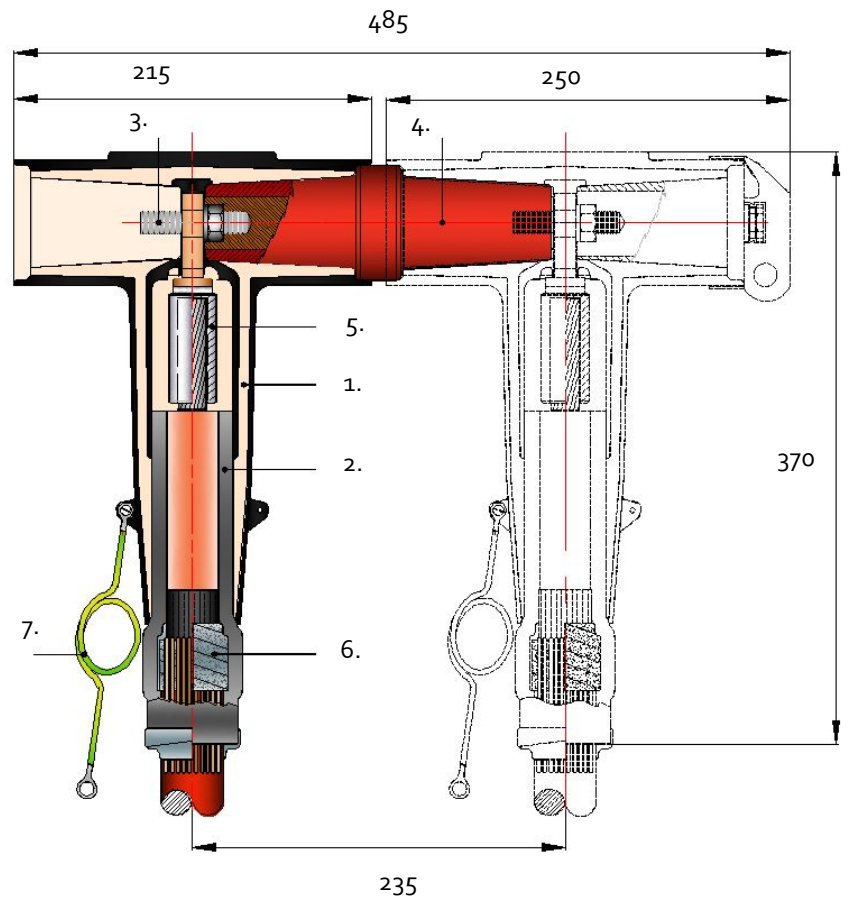


COUPLING OUTER CONE SEPARABLE CONNECTOR - UP TO 24 KV – 630 A

ELCONEXT 24C-S EG

Kit components

1. Separable connector body
 2. Cable adapter
 3. Clamping screw
 4. Connecting plug
 5. Conductor lug
 6. Water sealing mastic
 7. Earthing wire
- Lubricating grease
Earthing lug
PVC tape, abrasive cloth, cleaning tissue
and gloves



SCE_24S EG ED. 02/19 - COPYING AND REPRODUCTION RIGHTS RESERVED.

COUPLING OUTER CONE SEPARABLE CONNECTOR - UP TO 36 kV – 630 A

ELCONEXT 36C–S EG

ELCONEXT 36C–S EG is the Elcon Megarad range of outer cone separable tee connectors designed to be used with ELCONEXT 36C-S or another ELCONEXT 36C-S EG for multiple parallel cables.

The electrical field stress control at the cable semiconductor cut is achieved by means of the Elcon Megarad specially formulated high permittivity compound inside the cable adapter.

The separable connector is fully screened by means of a thick polymeric semiconductive outer layer that is pre-molded over the body insulating material.

Application

For connections of polymeric insulated cables to equipments by means of bushing type "C" up to 36 kV (U_m) - B.I.L. 195 kV - and 630 A. For any type of cable metallic screen.

Suitable for mechanical, hexagonal and deep indent conductor lugs.

Compliant with standard CENELEC HD 629.1 S2.

Selection guide

Connector body identification

Connector body type	Cable size [mm ²]
36C-S1	25 - 300

Cable adapter identification

Cable adapter type	Cable insulation diameter range [mm]	Cable conductor size [mm ²] (FOR GUIDANCE ONLY)
		U_m 36 kV
c	23,0 - 29,0	35 - 70
d	27,0 - 33,0	95 - 150
e	31,5 - 36,5	150 - 240
f	35,0 - 38,5	240 - 300

Product identification

Select the right cable adapter by means of the table above and add the adapter type to the product name. For example, **ELCONEXT 36C-S1 EG d** for a cable insulation diameter between 27 and 33 mm.

INTERFACE "C" SYMMETRIC BRANCH TYPE

18/30 (36) kV
19/33 (36) kV



COUPLING OUTER CONE SEPARABLE CONNECTOR - UP TO 36 KV – 630 A

ELCONEXT 36C-S EG

Kit components

1. Separable connector body
 2. Cable adapter
 3. Clamping screw
 4. Connecting plug
 5. Conductor lug
 6. Water sealing mastic
 7. Earthing wire
- Lubricating grease
Earthing lug
PVC tape, abrasive cloth, cleaning tissue and gloves

